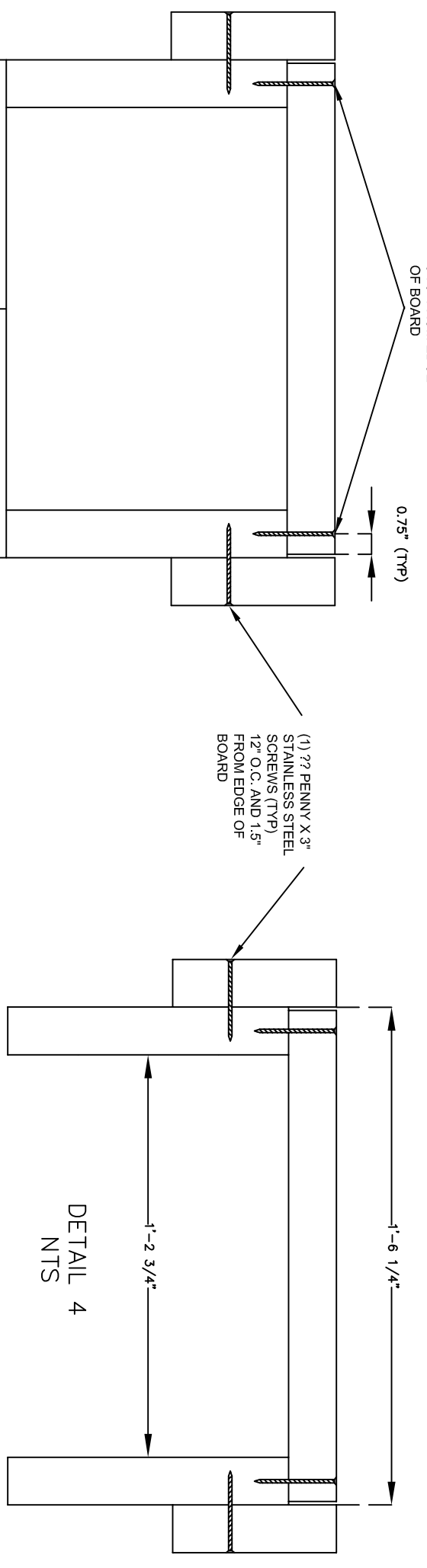
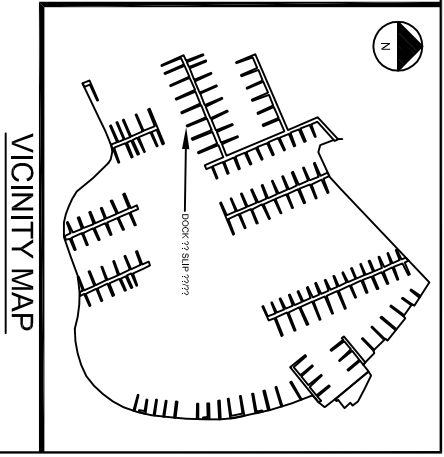
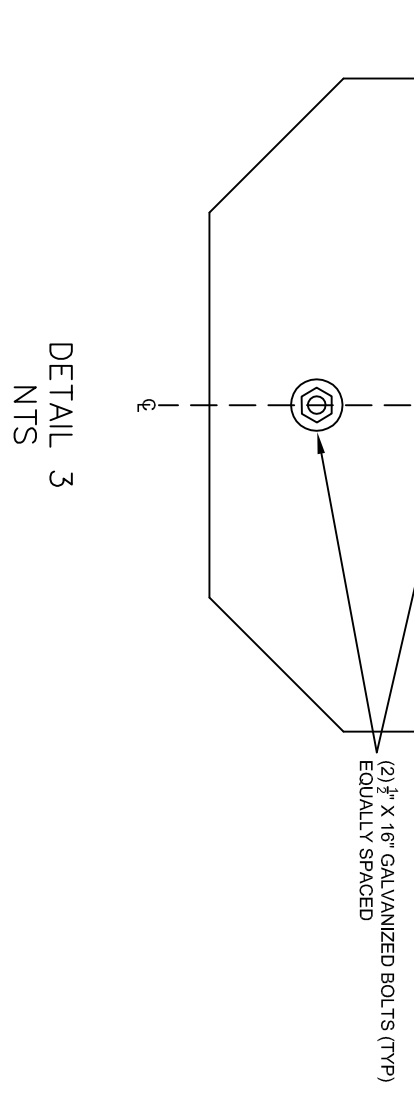
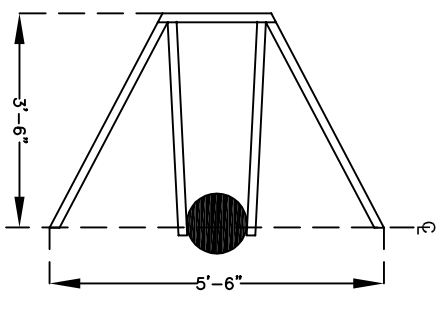


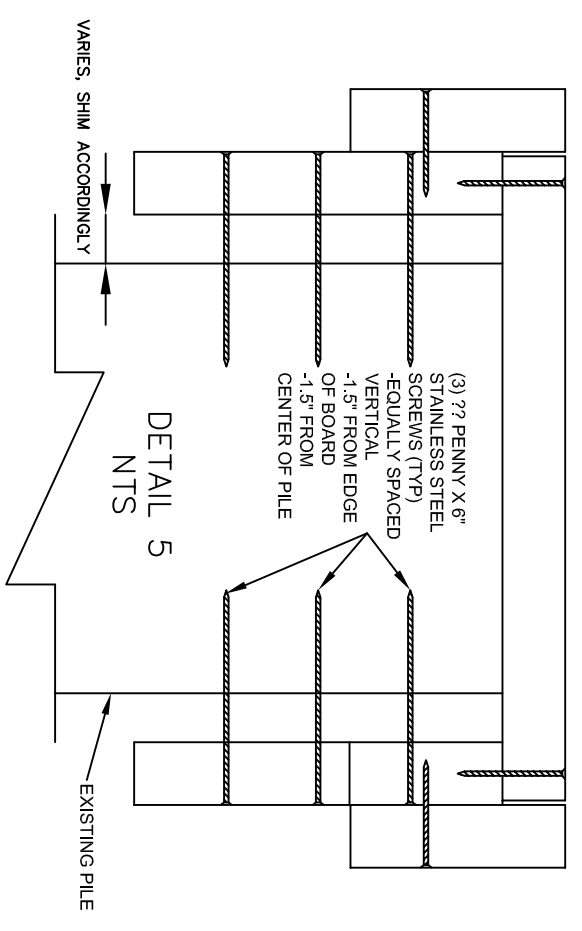
DETAIL 1
NTS



DETAIL 2
NTS



DETAIL 3
NTS



DETAIL 4
NTS

DETAIL 5
NTS

OFFICE: (832)277-6628	DAVIS ROAD	LEAGUE CITY, TX 77599
WHARF MARINA		
WHARF MARINA 35' FINGER PIER		
SCALE: NTS	FOR CONSTRUCTION	DRAWN BY: JARED WIMBING
DATE: 08/21/09		REVISION: 0
FINGER PIER DETAILS		
LOCATION: LEAGUE CITY, TX 77339	DWG. NUMBER: S-2	